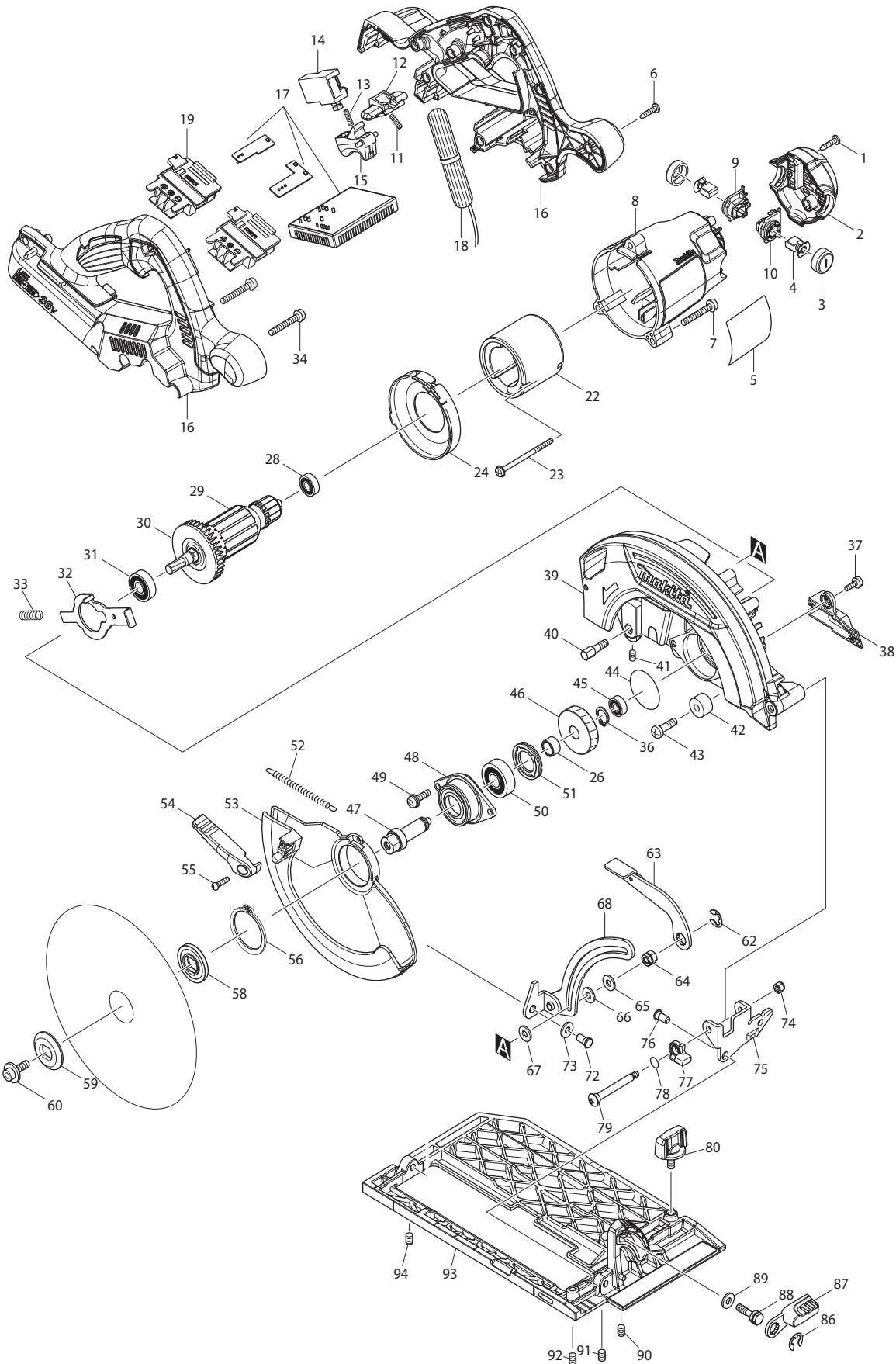




11 - 2013
DHS711PF2, DHS711Z
18V x 2 7-1/4" CIRCULAR SAW



PARTS LIST

Item No	Type	Part No	Description	Qty	Unit
001		266326-2	TAPPING SCREW 4X18	2	PC.
002		454697-1	REAR COVER	1	PC.
003		643829-7	HOLDER CAP	2	PC.
004		195023-2	CARBON BRUSH CB-442 2PC/SET (W/ ORIGIN)	1	SET
005		814Y60-4	NAME PLATE F/DHS711	1	PC.
006		266326-2	TAPPING SCREW 4X18	9	PC.
007		911258-5	PAN HEAD SCREW M5X35	3	PC.
008		454693-9	MOTOR HOUSING	1	PC.
009		644505-6	BRUSH HOLDER	1	PC.
010		644506-4	BRUSH HOLDER	1	PC.
011		231469-9	COMPRESSION SPRING 4	1	PC.
012		419664-3	LOCK OFF LEVER	1	PC.
013		231469-9	COMPRESSION SPRING 4	1	PC.
014		650730-9	SWITCH TG72BD-6	1	PC.
015		419665-1	SWITCH LEVER	1	PC.
016		187770-9	HANDLE SET	1	SET
016	INC.	802G91-7	CAUTION LABEL	1	PC.
016	INC.	802G93-3	INDICATION LABEL	1	PC.
016	INC.	263005-3	RUBBER PIN 6	4	PC.
017	2	620828-6	CONTROLLER	1	PC.
018		632B66-0	LEAD UNIT	1	PC.
019		643899-6	TERMINAL	2	PC.
022		638571-3	YOKE UNIT	1	PC.
023		266292-3	TAPPING SCREW 4X65	2	PC.
024		454696-3	BAFFLE PLATE	1	PC.
026		257349-1	SLEEVE 12	1	PC.
028		210017-7	BALL BEARING 607DDW	1	PC.
029		519332-9	ARMATURE ASS'Y 36V	1	PC.
029	INC.		Item. 28,30,31		
030		240045-8	FAN 55	1	PC.
031		210059-1	BALL BEARING 6000DDW	1	PC.
032		344681-3	SHAFT LOCK	1	PC.
033		233117-6	COMPRESSION SPRING 6	1	PC.
034		911258-5	PAN HEAD SCREW M5X35	2	PC.
036		961052-5	RETAINING RING S-12	1	PC.
037		911223-4	PAN HEAD SCREW M5X16	1	PC.
038		453285-1	DUCT	1	PC.
039		142365-5	BLADE CASE COMPLETE	1	PC.

Item No	Type	Part No	Description	Qty	Unit
039		INC. 213434-0	O RING 26	1	PC.
040		265594-4	HEX.BOLT M6X18	1	PC.
041		266229-0	H.S.SET SCREW(CUP POINT)M5X8	1	PC.
042	2	262502-6	RUBBER SLEEVE 6	1	PC.
043		251247-1	+ PAN HEAD SCREW M6X20	1	PC.
044		213512-6	O RING 39	1	PC.
045		210028-2	BALL BEARING 606ZZ	1	PC.
046		227786-3	HELICAL GEAR 49	1	PC.
047		326357-4	SPINDLE	1	PC.
048		319088-2	BEARING BOX	1	PC.
049		911233-1	PAN HEAD SCREW M5X20	2	PC.
050	2	210195-3	BALL BEARING 6201DDW	1	PC.
051		285852-2	BEARING RETAINER 19-33	1	PC.
052		231877-4	TENSION SPRING 4	1	PC.
053		319072-7	SAFETY COVER	1	PC.
054		272252-5	LEVER 65	1	PC.
055		265178-8	PAN HEAD SCREW M4X16	1	PC.
056		961155-5	RETAINING RING S-38	1	PC.
058		224411-7	INNER FLANGE 35	1	PC.
059		224409-4	OUTER FLANGE 35	1	PC.
060	2	266925-0	* HEX. SOCKET HEAD BOLT M6X18	1	PC.
062		257982-9	BOW STOP RING E-8	1	PC.
063		272279-5	LEVER PLATE	1	PC.
064		264096-7	HEX. NUT M6	1	PC.
065		267100-1	FLAT WASHER 6	1	PC.
066		267100-1	FLAT WASHER 6	1	PC.
067		267100-1	FLAT WASHER 6	1	PC.
068		142268-3	DEPTH GUIDE COMPLETE	1	PC.
072		256480-0	SHOULDER PIN 6-7	1	PC.
073		253133-2	FLAT WASHER 7	1	PC.
074		252103-8	HEX. LOCK NUT M5-8	1	PC.
075		345590-9	ANGULAR GUIDE	1	PC.
076		256480-0	SHOULDER PIN 6-7	1	PC.
077		318823-5	STOPPER	1	PC.
078	2	213977-2	O RING 9	1	PC.
079		266734-7	+ TRUSS HEAD SCREW O5	1	PC.
080		265798-8	THUMB SCREW M6X14	1	PC.
086		257982-9	BOW STOP RING E-8	1	PC.
087		272272-9	LEVER 45	1	PC.

Item No	Type	Part No	Description	Qty	Unit
088	2	265B21-3	HEX.BOLT M6X20	1	PC.
089	1	941151-9	FLAT WASHER 6	1	PC.
090		266208-8	H.S.SET SCREW(CUP POINT)M6X8	1	PC.
091		266208-8	H.S.SET SCREW(CUP POINT)M6X8	1	PC.
092		266208-8	H.S.SET SCREW(CUP POINT)M6X8	1	PC.
093		142367-1	BASE COMPLETE	1	PC.
093	INC.	802G92-5	SCALE LABEL	1	PC.
094		266208-8	H.S.SET SCREW(CUP POINT)M6X8	1	PC.
A01		164095-8	GUIDE RULE (RIP FENCE)	1	PC.
A02		783217-7	HEX. WRENCH 5	1	PC.
A03		A-94530-10	7-1/4" FRAMING BLADE, 24T 5/8" 10PC/PK	1	PC.
A04		197213-3	INTERLOCKING CASE XL	1	PC.
A04	INC.	453974-8	LATCH	4	PC.
A05		838259-7	INNER TRAY F/ INTERLOCKING CASE XL	1	PC.
A06		A-94839-10	7-1/4" BLADE 24T 5/8" 10PK	1	PK.
A07		D-35352-10	7-1/4" CT BLADE 24T 5/8" 10BX	1	PK.
A09		A-94530-10	7-1/4" BLADE 24T 5/8" 10PC/SET	1	SET
A10		196843-7	DUST NOZZLE SET	1	PC.
A11		831278-2	LXT TOOL BAG, BLUE	1	PC.
A11		821010-X	TOOL BAG 14"	1	PC.
A12		MK403-M	CONSTRUCTION WORK GLOVES M	1	PC.
A12		MK404-L	IMPACT WORK GLOVES L	1	PC.
A12		MK404-XL	IMPACT WORK GLOVES XL	1	PC.
A12		MK405-M	DEMOLITION WORK GLOVES M	1	PC.
A12		MK405-L	DEMOLITION WORK GLOVES L	1	PC.
A12		MK405-XL	DEMOLITION WORK GLOVES XL	1	PC.
A12		MK403-XL	CONSTRUCTION WORK GLOVES XL	1	PC.
A12		MK403-L	CONSTRUCTION WORK GLOVES L	1	PC.
A12		MK404-M	IMPACT WORK GLOVES M	1	PC.
A13		-----	18V LI-ION BATTERY		
A14		-----	BATTERY CHARGER		
A15		-----	LI-ION BATTERY ACCESSORIES		
C01	2	876767-0	CARTON F/DHS711Z	1	PC.
D01		654510-5	INSULATED CONNECTOR 5.5-SD	1	PC.

SERVICE CHANGES

1. Change of Hex Bolt M6x20 and Flat Washer 6

T/I#D5231

Item No.	Description	Type 1	Type 2
088	HEX BOLT M6X20	266735-5	265B21-3
089	FLAT WASHER 6	941151-9	-----

Above parts are completely interchangeable as a set.